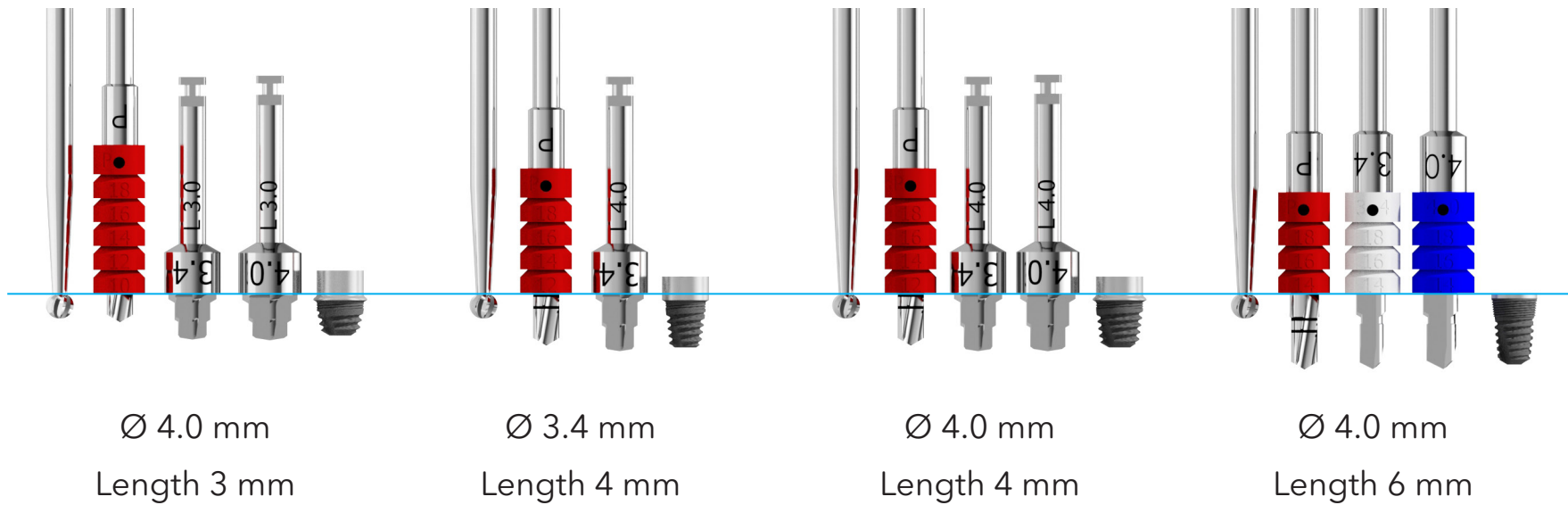


SURGICAL PROTOCOL

PREPARATION OF THE IMPLANT BED



SIMPLICITY | FLEXIBILITY | CERTAINTY

